



PROJECT		REF		REV	ITEM CODE	
LOCATION		DATE			PAGE	

SANITARY WARE SPECIFICATION SHEET

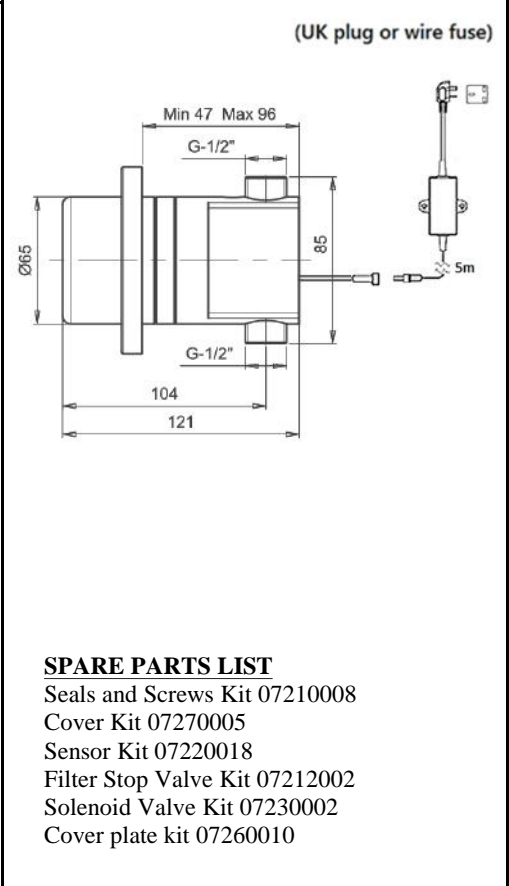
Item Descriptions	Stern (Israel) "Jupiter 1032" Chrome plated concealed wall-mounted sensor flush valve for urinals in AC Supply with 5m wire AC 110-240 Vac 50/60Hz to 9V 0.3A IP68 waterproof switching transformer	Illustration/ Drawing
Dimensions	L65 x W121 x H65 mm	
Model	Jupiter 1032 E	
Code Number	134520	
Finish	Chrome Plated	
Supplier	Acme Sanitary Ware Co. Ltd Mr. Eric Wong/ Mr. Don Yuen	
Contact Tel/Fax	(852) 2388-7171 / (852) 2710-8012	
E-mail	acme@acmesanitary.com.hk	
Website	www.acmesanitary.com.hk	

Jupiter 1032 E Ref #134520
 Touch free electronic flush valve for urinals. Activated by an infrared sensor. Shut-off valve, filter and a low battery indicator included. Pre flush optional upon request. A 24 hours hygiene flush is included. Chrome plated body. The following settings can be changed by using the Stern remote control: Sensor Range, Security Time, Delay In, Delay Out and On-Off.

Application:
 Helps washrooms to stay neat and cleaner, saves water. Ideal for educational institutions, gas stations, restaurants. Due to its minimalistic style it's also perfect for any locations with high design standards.

Use:
 Touch free electronic flush valve for urinals. Water will start flushing once the user moves away from the urinal.

- Power supply: Internally mounted 9V battery or 9V transformer
- Recommended water pressure: 0.5-8.0 bar (7-116 PSI) With water pressure of more than 8 bars, use a pressure reducing valve for reduction.
- Preset sensor range: 600 mm Adjustable
- Minimum sensor range: 300 mm
- Maximum sensor range: 800 mm
- 24 Hours automatic flush : Maintains trap seal every 24 hours when not used
- Preset flushing time: 6 seconds. Adjustable
- Prior use flush mode: Optional feature

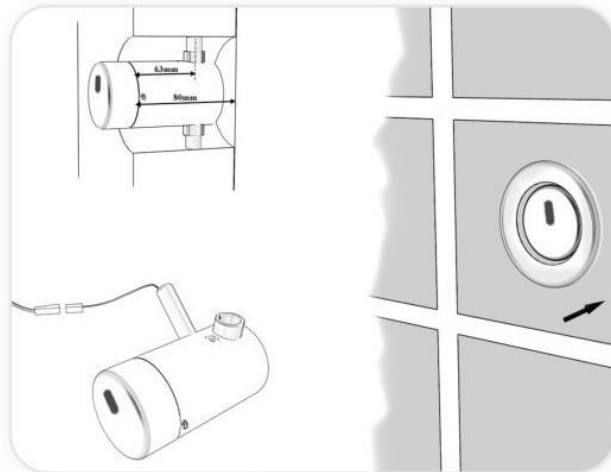


* All information of the above is for the reference only. No prior notice is made if any changes.



INSTALLATION

- 1) Shut off the water supply.
- 2) Cut an adequate opening in the wall for the dimensions of the product and if your model is Jupiter 1032 E for the electricity wires.
- 3) Insert the product through the wall opening and assemble the inlet to the water supply pipe in the wall.
- 4) Connect the flush valve outlet to the pipe leading to the urinal's inlet.
- 5) Mount the flush valve body to the wall so it will protrude from the wall as shown in the drawing.
- 6) If your model is Jupiter 1032 E place the transformer near the electricity plug (up to 3 meters from the flush valve body) and connect the transformer wire to the flush valve body through the hole.
- 7) Turn on the water supply and check for leaks.
- 8) After the ceramic tiles are installed, assemble the cover plate over the flush valve body on the wall.
- 9) To operate the system stand a few second in front of the sensor. The Jupiter 1032 will flush automatically when you leave the urinal.
- 10) If the range is unsatisfactory, refer to the section titled "Range adjustment".





Since 1949

Acme Sanitary Ware Co. Ltd.

1/F, Acme Building, 22-28 Nanking Street, Kowloon, Hong Kong

Tel: 2388 7171 Fax: 2710 8012

Email: acme@acmesanitary.com.hk

Website: www.acmesanitary.com.hk

stern

MANUAL SETTINGS ADJUSTMENT

Adjusting the sensor range without a remote control:

1. Disconnect the power supply, battery or transformer, from the sensor.
2. Activate the sensor three or four times.
3. Reconnect the power supply to the sensor.
4. To enter into the adjusting mode, put your hand in front of the sensor at a distance of 2"(5cm) to 4"(10cm) within 5 seconds after the reconnection of the power supply.

Note: If you will not put your hand in front of the sensor after connecting the power supply, the sensor will not enter into adjusting mode and the previous setting will return.

5. When the sensor enters into the adjusting mode and your hand is in front of the sensor, a slow flashing of the red light at the front of the sensor will occur.
6. Keep your hand at the front of the sensor until the slow flashing changes into quick flashing. At this point, move your hand to the required distance from the sensor and wait until the red light will stop flashing.
7. When the red light has turned off, the sensor has been adjusted to the required distance.
8. Check the distance you have set and if it is not satisfactory, repeat steps 1-6.



TROUBLE SHOOTING

PROBLEM	INDICATOR	CAUSE	SOLUTION
No water coming out of the flush valve:	1. Sensor flashes continuously when user's hands are within the sensor's range.	Low battery.	Replace battery.
	2. Red light in the sensor does not flash once when user's hands are within the sensor's range.	1. Range is too short.	Increase the range.
		2. Range is too long.	Decrease the range.
		3. Battery is completely used up	The battery must be replaced.
		4. Unit is in "Security Mode"	
	3. Red light in the sensor flashes once when user's hands are within the sensor's range.	5. Sensor is picking up reflections from the washbasin or another object.	Eliminate cause of reflection.
1. Connectors between the electronic unit and solenoid are disconnected.		Connect the electronic unit connectors to the solenoid.	
Water flow from spout does not stop:	2. Red light in the sensor does not flash once when user's hands are within the sensor's range.	2. Debris or scale in solenoid.	Unscrew solenoid, pull out the plunger and the spring from the solenoid and clean them. Use scale remover material if needed. When replacing the plunger, please make sure that the spring is in vertical position.
		3. The central orifice in the diaphragm is plugged or the diaphragm is torn	Clean the orifice or replace diaphragm.
		4. The water supply pressure is higher than 8 bar.	Reduce the supply water pressure.
		5. The water supply pressure is under 8 bars and yet the pressure in the flush valve's body is higher. This situation could be caused by a sudden increase in the water supply pressure that the backcheck prevents from dropping, even after water supply pressure drops under 8 bars.	Shut off water supply and unscrew one of the flexible pipes in order to reduce the pressure that blocks the product.
		1. Sensor flashes once when user's hands are within the sensor's range.	Debris or scale in diaphragm
Water flow diminished	1. Sensor is dirty or covered.**	2. Sensor is picking up reflections from the washbasin or another object.	1. Decrease the range or eliminate cause of reflection.
		Filter or aerator is clogged	Remove, clean, re-install

* "Security Mode": If the sensor is covered for more than 90 sec. the flush valve will automatically shut off water flow. To return to normal operation remove any blockage.

** In this case, the water flow will stop anyway after 90 seconds because of the security time.